

SECTION F

**STORMWATER FACILITY INFORMATIONAL
SIGN SPECIFICATIONS**

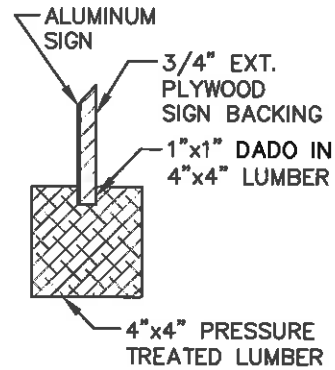
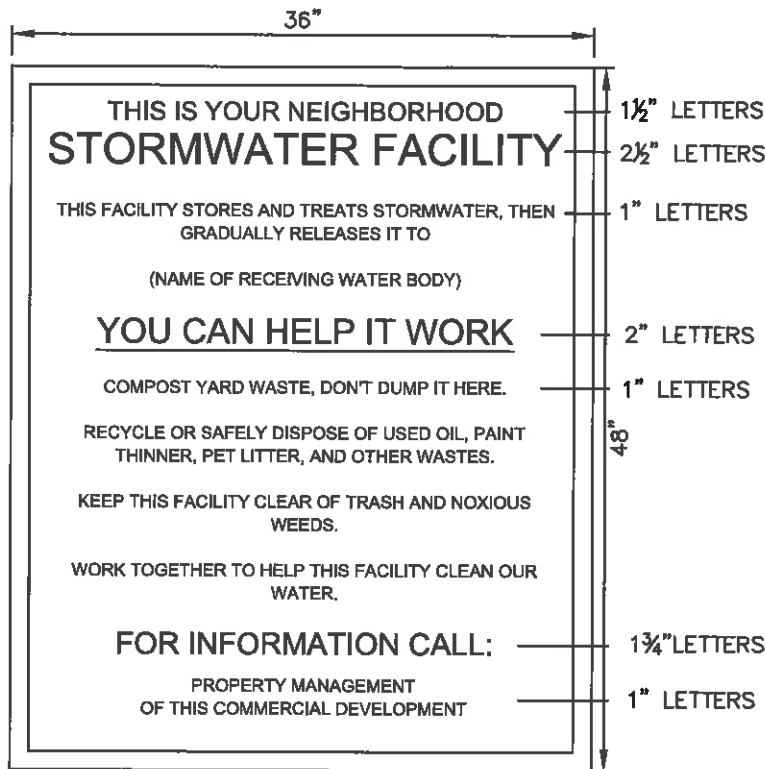
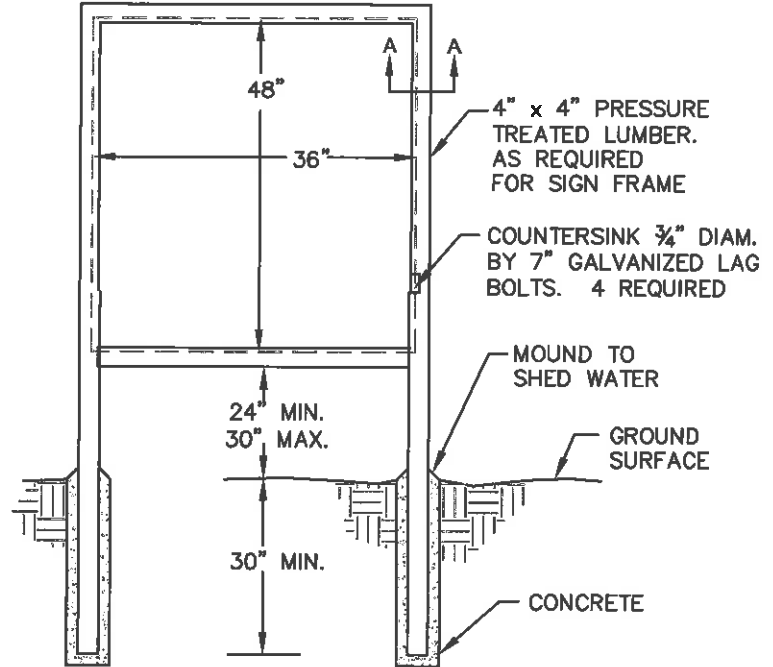
STORMWATER FACILITY INFORMATIONAL SIGN SPECIFICATIONS


The Proponent is responsible for obtaining and installing a metal sign for the stormwater facility. Verify with the County what receiving water names(s) and contact department name and telephone numbers to be affixed to the sign.

The sign shall be installed on the street side of the stormwater facility, or in a location highly visible to passers-by. The sign may be affixed to a pressure-treated wood post and placed in concrete in the ground, or may be firmly attached to a pole or fence adjacent to the stormwater facility. It is the Proponents responsibility or it's successors in interest (the Homeowners Association) to ensure the sign is on the site and to replace same if necessary due to loss, vandalism or theft.

NOTES:

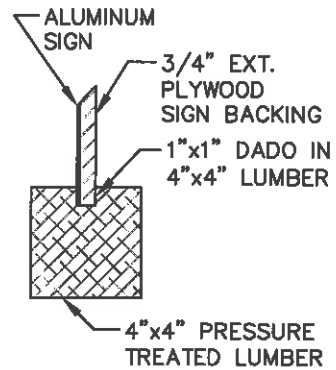
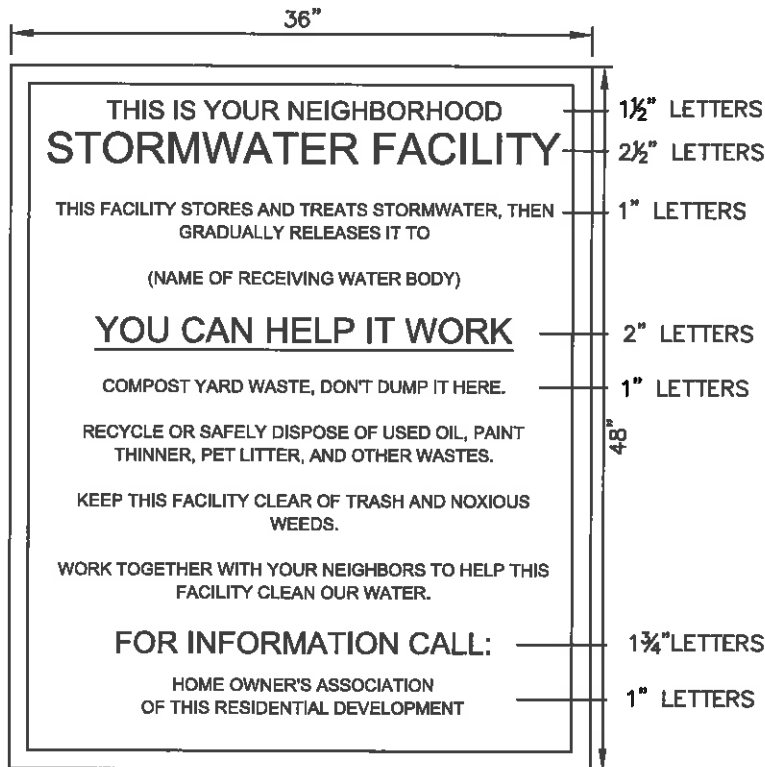
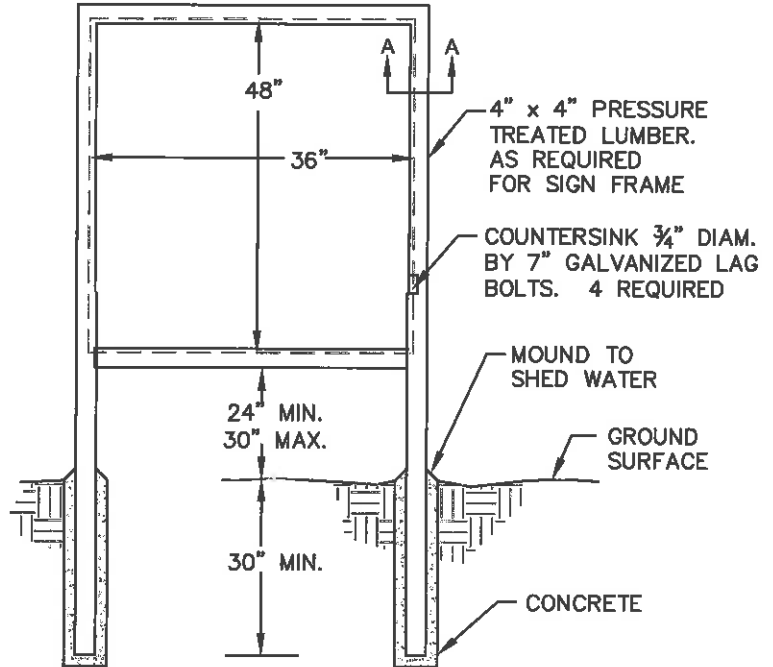
1. SIGN WILL BE ALUMINUM, 1/8" THICK.
2. BLACK LETTERING ON A TAN BACKGROUND.
3. USE BOLD SANS-SERIF FONT STYLE.
4. GIVE PROPERTY MANAGEMENT OR OWNER CONTACT NUMBER.
5. SIGN IS TO BE PLACED 4' INSIDE PERIMETER FENCE.



	ENGINEERING DIVISION	
	STORMWATER FACILITY SIGN (COMMERCIAL)	
	SECTION F DETAIL N.T.S.	1.0
APPROVED BY CITY ENGINEER _____		DATE 1/1/2014

NOTES:

1. SIGN WILL BE ALUMINUM, 1/8" THICK.
2. BLACK LETTERING ON A TAN BACKGROUND.
3. USE BOLD SANS-SERIF FONT STYLE.
4. GIVE HOA OR OWNER CONTACT NUMBER.
5. SIGN IS TO BE PLACED 4' INSIDE PERIMETER FENCE.



ENGINEERING DIVISION

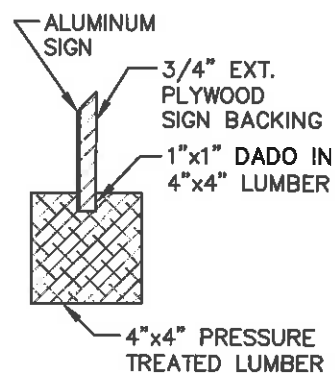
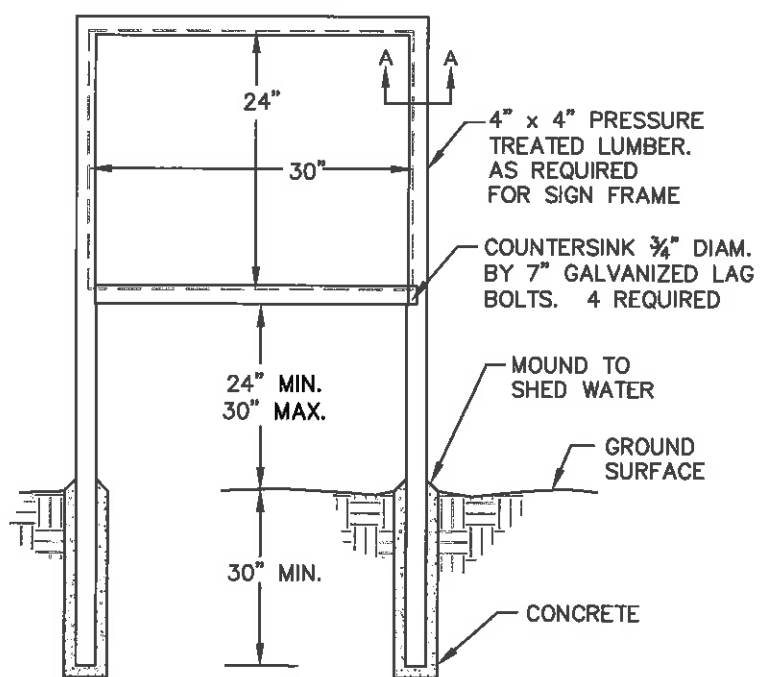
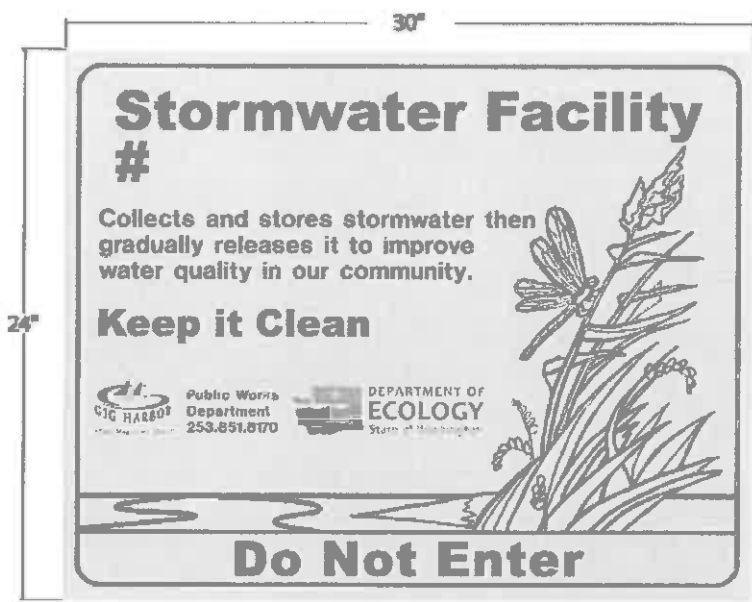
STORMWATER FACILITY SIGN (PRIVATE)

SECTION F
DETAIL N.T.S.

2.0


APPROVED BY
CITY ENGINEER

DATE 1/1/2014



NOTE:
 CONTRACTOR TO INSTALL SIGN
 PROVIDED BY THE CITY OF GIG HARBOR

ALUMINUM SIGN DETAIL
 (PUBLIC) N.T.S.

 ENGINEERING DIVISION	
STORMWATER FACILITIES SIGN (PUBLIC)	
SECTION F DETAIL N.T.S. 3.0	
APPROVED BY _____ DATE 1/1/2014 CITY ENGINEER _____	